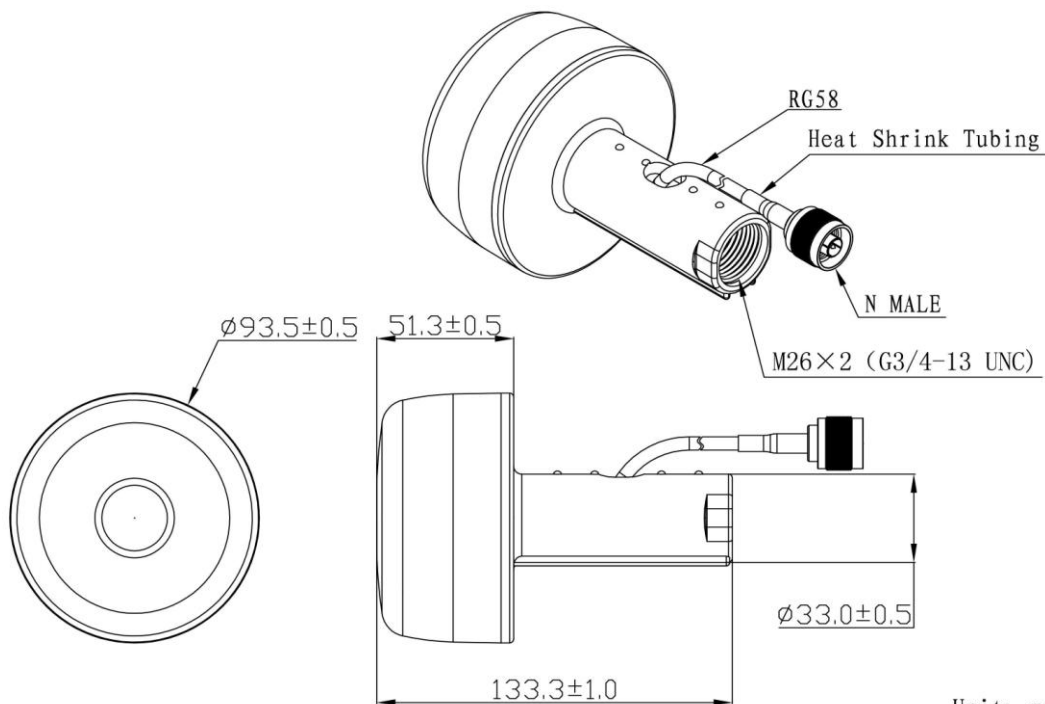


## GPS Active Navigation Antenna

### LTE-A-005



### DIMENSIONS

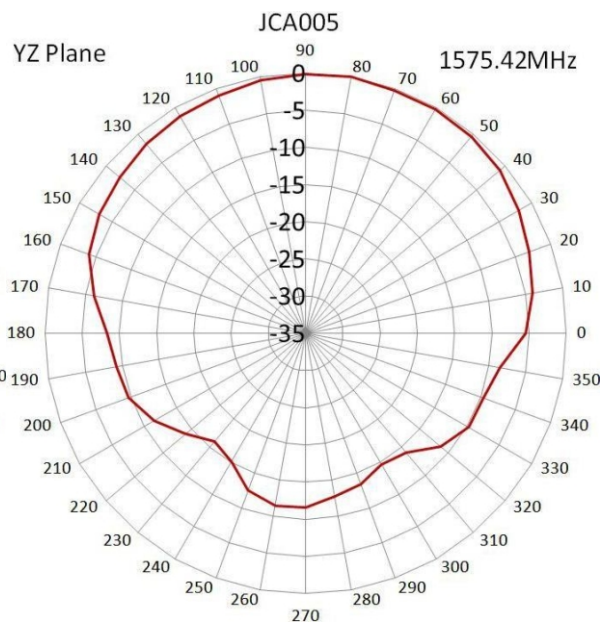
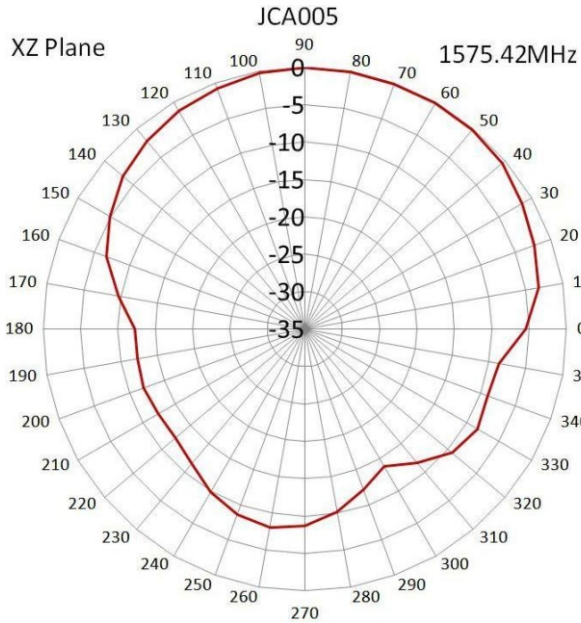
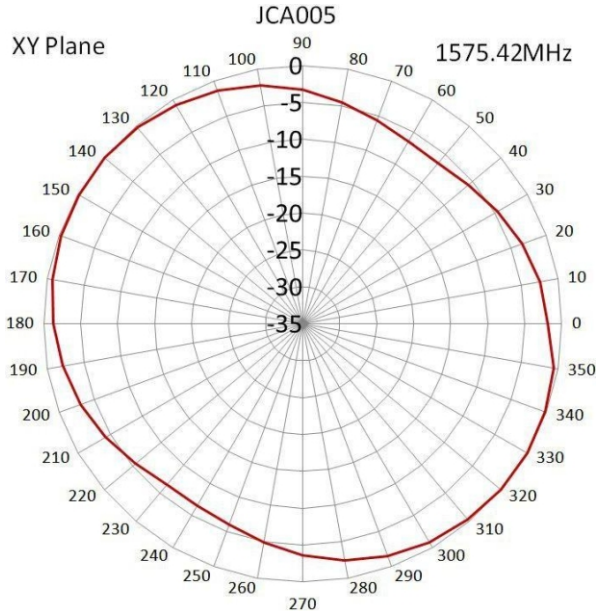


Unit: mm

## SPECIFICATIONS

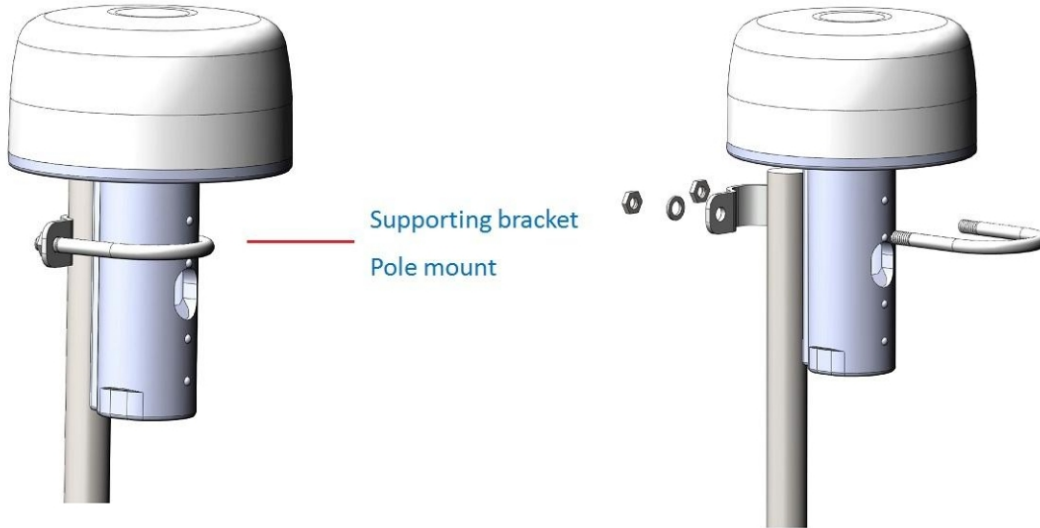
Item	Specifications	
Antenna	Center Frequency	1575.42± 3MHz
	Band Width	CF± 5MHz
	Polarization	RHCP
	Gain	5dBic ( Zenith )
	V.S.W.R	< 1.5
	Impedance	50Ω
LNA	Gain	42± 2dB
	Noise Figure	< 2dB
	Supply Voltage	3~5V DC
	Current Consumption	< 35mA
	V.S.W.R	< 2.0
Mechanical	Cable	RG58 or others
	Connector	N or others
	Radome Material	ABS
	Mounting Method	Screw
Environmental	Operating Temperature	-40°C~+85°C
	Relative Humidity	Up to 95%
	Ingress Protection	IP67
	Vibration	10 to 55Hz with 1.5mm amplitude 2hours
	Environmentally Friendly	ROHS Compliant

## Radiation Pattern



## Mounting Instruction

### Mounting method 1



### Mounting method 2

